

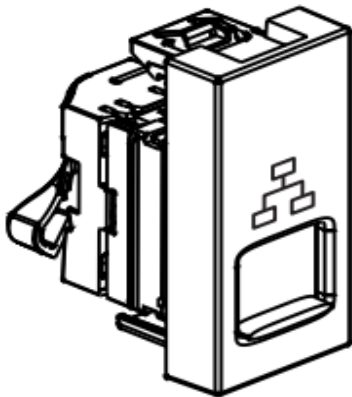
**Allzy™**

Ref . No. : 681132

**RJ45 Socket Cat6 UTP 1M White**

Date : 07/11/2022

Rev.1

**1. USE**

Data Socket Outlet

**2. TYPE**

RJ45 Cat6 UTP White

No. of modules : 1

Colour : White

Mounting : Flush and Surface -mounted

**3. OVERALL DIMENSIONS**

Width : 22.5 mm

Height : 45 mm

Depth : 35 mm

Weight (g) : 11.61

**4. CONNECTION**

Rapid connection socket , UTP 8 contacts

**5. OPERATION**

Socket with shutter

For Product installation refer instruction Sheet LE13727AA.

**6. TECHNICAL CHARACTERISTICS****6.1 Material Characteristics**

Top Plate : Polycarbonate

Spring : Stainless Steel

Shutter : Polycarbonate Transparent

**6.2 Electricals Characteristics**

Self - extinguishing : 850° C / 30 s

**7. CONFORMITY - APPROVALS**

Legrand Standard